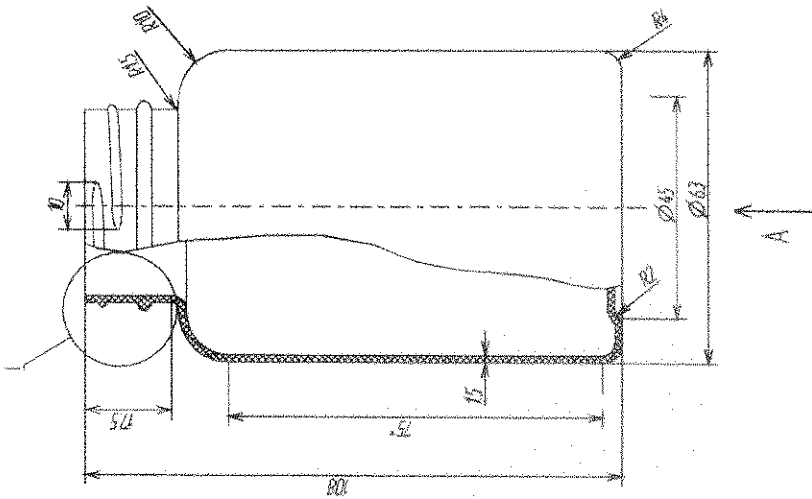
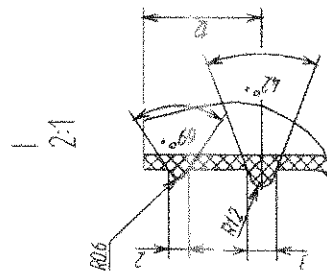


AL25001



- 1. Hk. 1/4, $\pm 17\%/2$
- 2. External surface - after spark erosion without polish



AL25001		Mass	0.035	Scale	1:1
Battle 250cc					
High density PE					

25001-00

AJ